
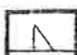

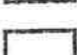
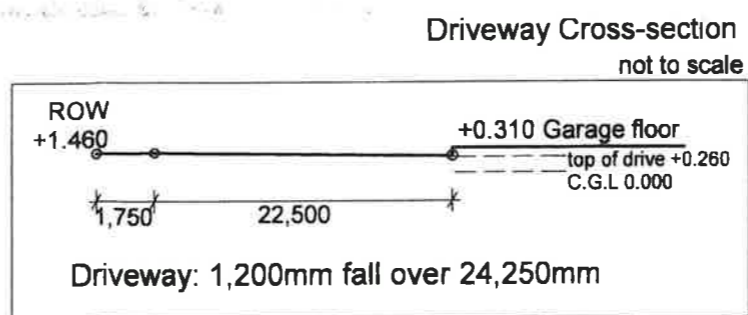
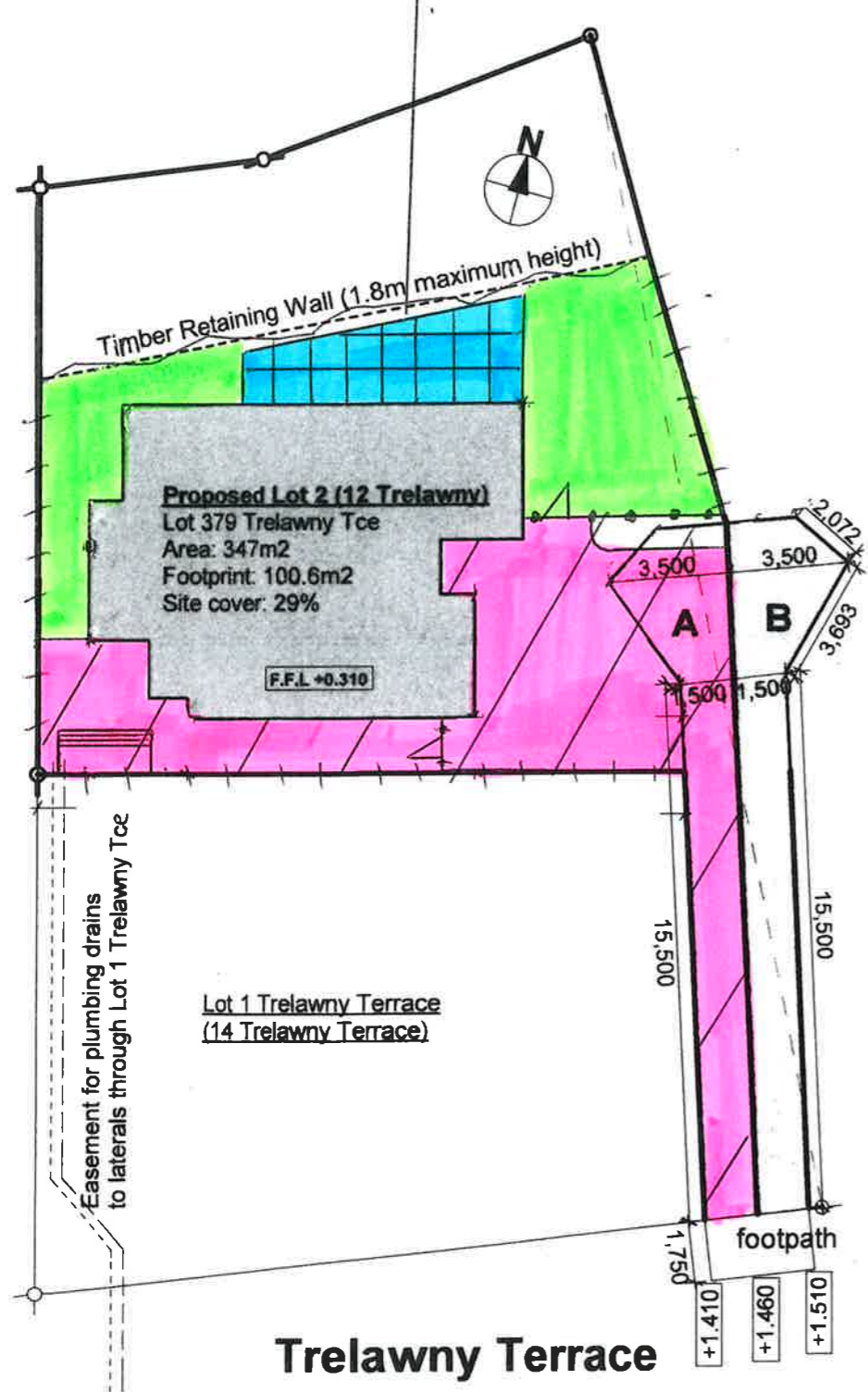


**Proposed Property:**  
**Dwelling for proposed**  
**Lot 2 Trelawny Terrace**  
**Grenada, Hunters Hill**  
**Wellington. 6037**  
 (refer Subdivision Plan Lot 2)

**Wind zone: Very High**  
**Earthquake zone: 3**  
**Ground: D&E**

*approx position only  
 as per onsite  
 18/12/17.*

-  Exposed Concrete
-  Scribed Concrete
-  Brushed Concrete
-  Topsoil with SOE grass
-  Gate
-  Clothesline
-  1.0M 50x50 Paling Fence (RS)
-  1.2M 50x20 Paling Fence (PG)
-  1.5M 150x25 Paling Fence (RS)
-  Retaining Wall



**SITE PLAN**  
**Scale: 1:200**

<b>RUSSELL PROPERTIES</b>	
Drawn by: <b>VAR Design,</b> <b>Vicky Russell</b> LBP No.: BP115030 Design Class: D1	Plan number: <b>402</b> Amendments:
Drawing title: <b>Site plan</b>	
Date: 29/06/2017	
Drawing Number: <b>L 01</b>	Scale: 1:200