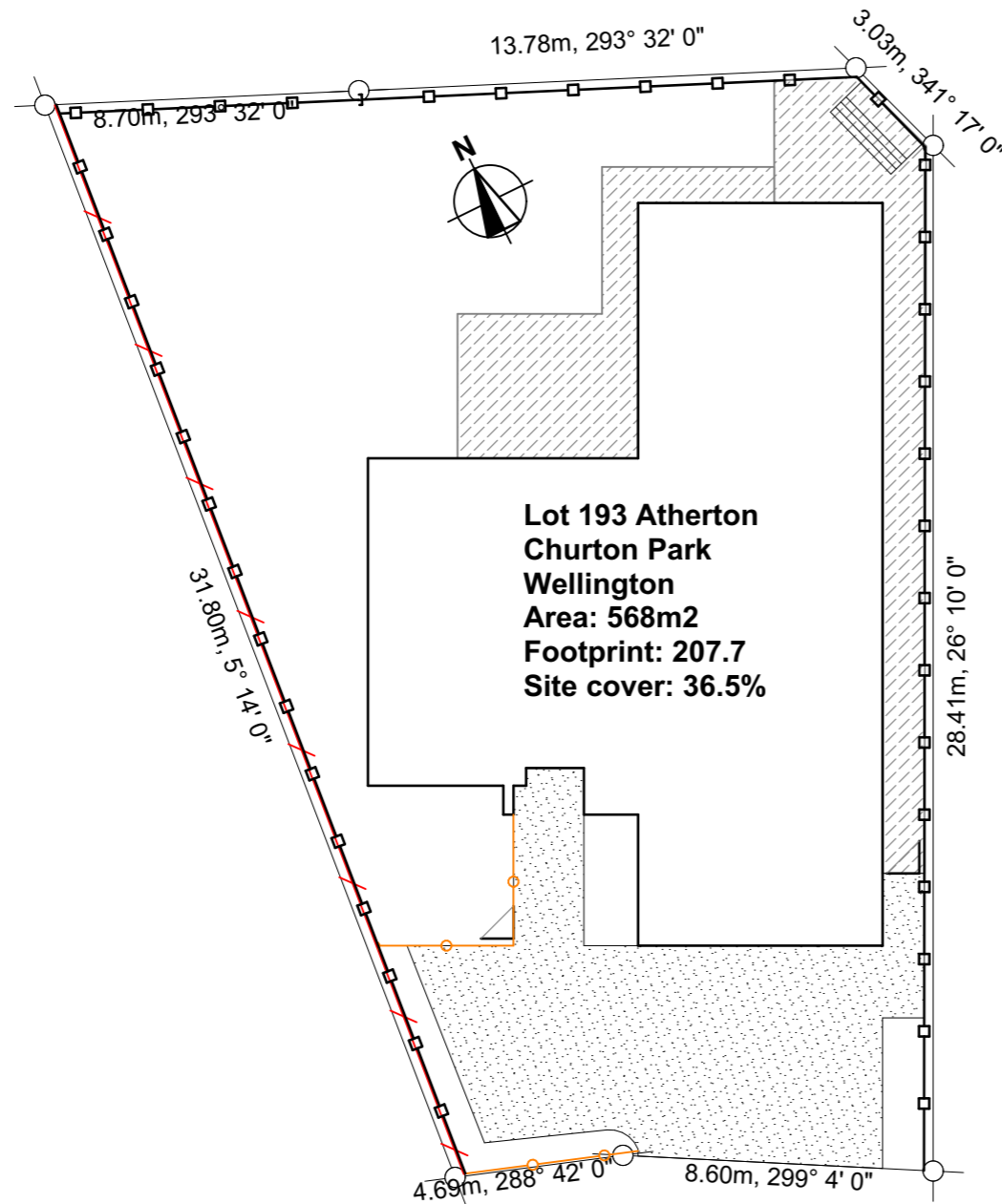







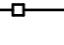


Proposed Property:  
**Lot 193 Atherton Terrace**  
**Churton Park**  
**Wellington, 6037**



**Key**

-  Exposed Concrete
-  Brushed Concrete
-  Topsoil with SOE grass
-  Gate
-  Clothesline
-  1.2m 50 x 20 Paling Fence
-  1.2m 150 x 25 Paling Fence
-  Retaining Wall

Wind zone: Extra High  
 Earthquake zone: 3  
 Ground: D&E



Drawn by:  
**VAR Design,**  
**Vicky Russell**  
 LBP No.: BP115030  
 Design Class: D1

Plan number: **482**  
 Amendments:  
 21/1/20:  
 L09a: Piping to kitchen island note

Drawing title: **Site plan** Date: 9/09/2020

Drawing Number: **L 01** Scale: 1:200